

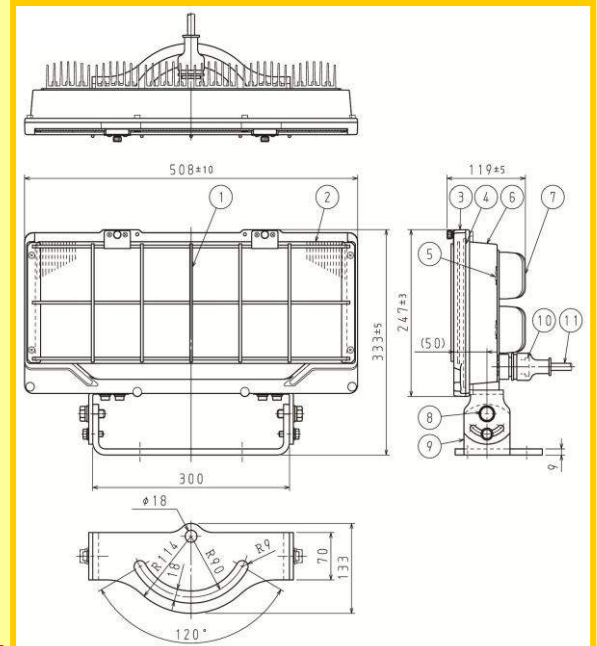
NEW

LED FLOODLIGHT MODEL:SLD-160

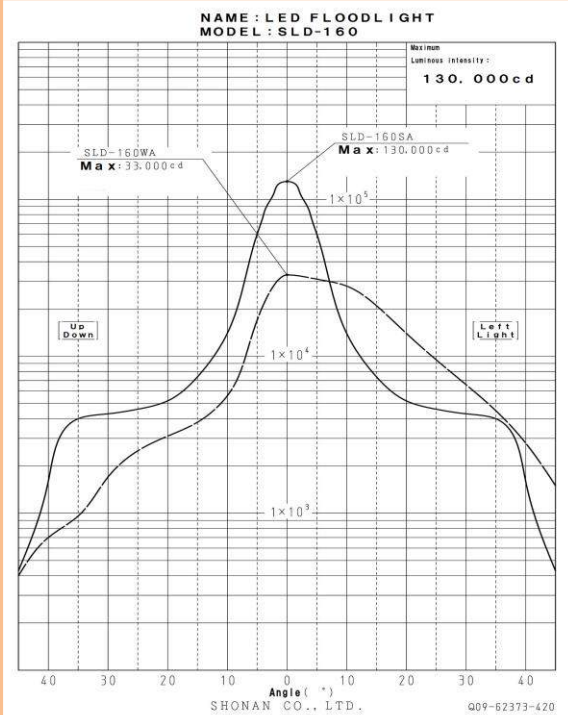
- ☆High power LED floodlight available for long distance irradiation.
- ☆SHOCK PROOF • LONG LIFE LIGHTING
- ☆Power consumption 160W



LED FLOODLIGHT
SLD-160



Name	LED FLOODLIGHT
Size (mm)	508 (W) × 333 (H) × 119 (D)
Maximum luminous intensity of beam	130,000cd 20°
Class of protection	IP66
Voltage	AC100~220V / 24V
Life	40,000 hour
Weight	10 k g



SHONAN CORP.

HEAD OFFICE

6-5-3, OMORI-NISHI, OTA-KU, TOKYO, 143-0015 JAPAN
TEL: +81-3-3762-2431 FAX: +81-3-3762-2435
E-mail: head-of@the-shonan.co.jp



ISO9001:2008 認証取得